

EQUIP. TYPE R300A/UR EXP. NO.

COL 372-1078-00

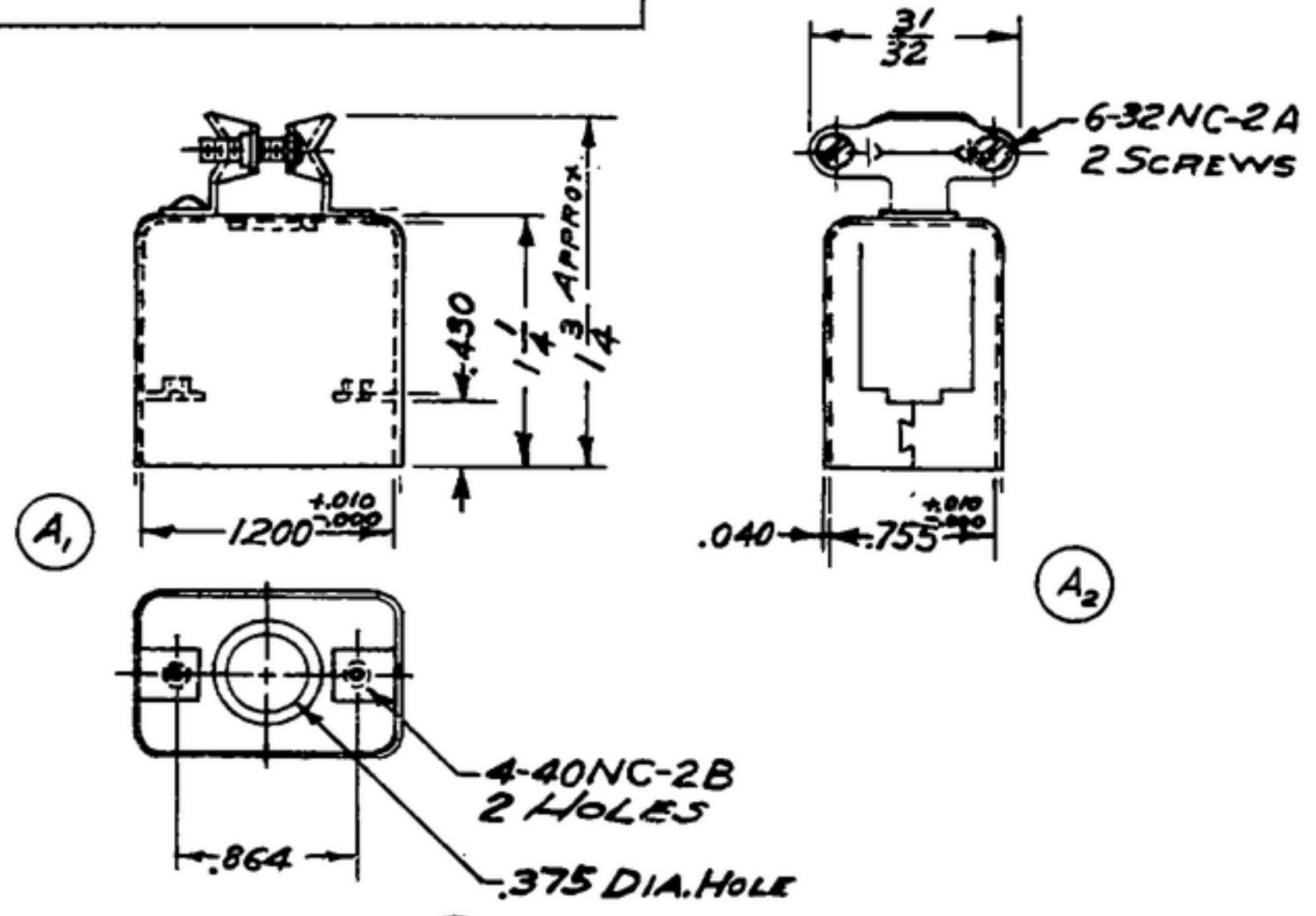
NOTICE: WHEN GOVERNMENT DRAWINGS, SPECIFICATIONS, OR OTHER DATA ARE USED FOR ANY PURPOSE OTHER THAN IN CONNECTION WITH A DEFINITELY RELATED GOVERNMENT PROCUREMENT OPERATION, THE UNITED STATES GOVERNMENT THEREBY INCURS NO RESPONSIBILITY NOR ANY OBLIGATION WHATSOEVER; AND THE FACT THAT THE GOVERNMENT MAY HAVE FORMULATED, FURNISHED, OR IN ANY WAY SUPPLIED THE SAID DRAWINGS, SPECIFICATIONS, OR OTHER DATA IS NOT TO BE REGARDED BY IMPLICATION OR OTHERWISE AS IN ANY MANNER LICENSING THE HOLDER OR ANY OTHER PERSON OR CORPORATION, OR CONVEYING ANY RIGHTS OR PERMISSION TO MANUFACTURE, USE, OR SELL ANY PATENTED INVENTION THAT MAY IN ANY WAY BE RELATED THERETO.

THIS DOCUMENT HAS BEEN PURCHASED BY THE GOVERNMENT AND MAY BE REPRODUCED AND USED IN CONNECTION WITH ANY GOVERNMENT PROCUREMENT OR MAINTENANCE OPERATION.

*FOR INFORMATION ONLY. CONTRACTOR MAY AT HIS OPTION DEVIATE FROM THESE PROCESS DETAILS.

~~R SWE APPROVAL~~
SYM PR10042-6

REVISIONS			
SYM	DESCRIPTION	DATE	APPROVAL
A ₁	A ₁ -WAS 1.179 ^{±.010} A ₂ -WAS .758 ^{±.010}	15 OCT 59	42428-PC-59 PEYD PME
	A ₃ -ADDED NOTE 2 A ₄ -WAS 26-947 A ₅ -WAS M262		



NOTES:
1. PART MAY BE 126-946, AS SUPPLIED BY AMERICAN PHENOLIC CORP., CHICAGO, ILL., OR EQUAL, PROVIDING IT MEETS THE FOLLOWING REQUIREMENTS AND DIMENSIONS SHOWN.

DESCRIPTION: COVER ASSEMBLY FOR 11 CONTACT PLUG CONNECTOR.
 MATERIAL FOR CAN: ALUMINUM
 FINISH ON CAN: E511 PER SPEC MIL-F-14072.
 MATERIAL ON CLAMP AND CLAMP SCREWS: STEEL
 FINISH ON CLAMP AND CLAMP SCREWS: M262A PER SPEC MIL-F-14072.

2. COVER SHALL MEET THE APPLICABLE REQUIREMENTS OF MIL-C-8384 EXCEPT WHERE AMENDED BY THIS SPECIFICATION.

COLLINS PART NO.	ITEM	REQD	PART NO.	DESCRIPTION	MATL	MATL QTY
LIST OF MATERIAL						
COLLINS PART NO. <u>559-0294-002</u>						

COLLINS NO.	QTY	NEXT ASSY	USED ON
<u>558-0455-004</u>	<u>2</u>	<u>SM-D-249103</u>	<u>SC-DL-248775</u>

DRAWN Hamer CHECKED APPROVED

UNLESS OTHERWISE SPECIFIED:
 DECIMAL DIMENSIONS INCLUDING HOLE SIZES MAY VARY ±.005
 FRACTIONAL DIMENSIONS INCLUDING HOLE SIZES MAY VARY ±1/64
 MACHINED ANGLES MAY VARY ±.1°
 SHEARED ANGLES MAY VARY ±.25°
 BROKEN ANGLES MAY VARY ±1°
 ECCENTRICITY BETWEEN ANY DIAMETERS ON THE SAME CENTERLINE SHALL NOT EXCEED .010 TOTAL INDICATOR READING.
 ALL DIMENSIONS ARE FINISH DIMENSIONS INCLUDING APPLIED FINISH AND ARE GIVEN IN INCHES.

COLLINS RADIO CO.
 8800 RIVERSIDE DRIVE
 14214-PH-51-93
 SIGNAL CORPS
 REVIEWED PME
 APPROVED HLV
PME
 DATE 13 JAN 56

COVER CONNECTOR

SCALE 1/1

DEPARTMENT OF THE ARMY
 SIGNAL CORPS ENGINEERING
 LABORATORIES
 FORT MONMOUTH NEW JERSEY
SM-B-283193